

## 2010 SYSTEM WIRING DIAGRAMS

### Jeep - Wrangler

## USING MITCHELL1'S WIRING DIAGRAMS

For information on using these wiring diagrams, see [USING MITCHELL1'S SYSTEM WIRING DIAGRAMS](#) article.

## AIR CONDITIONING

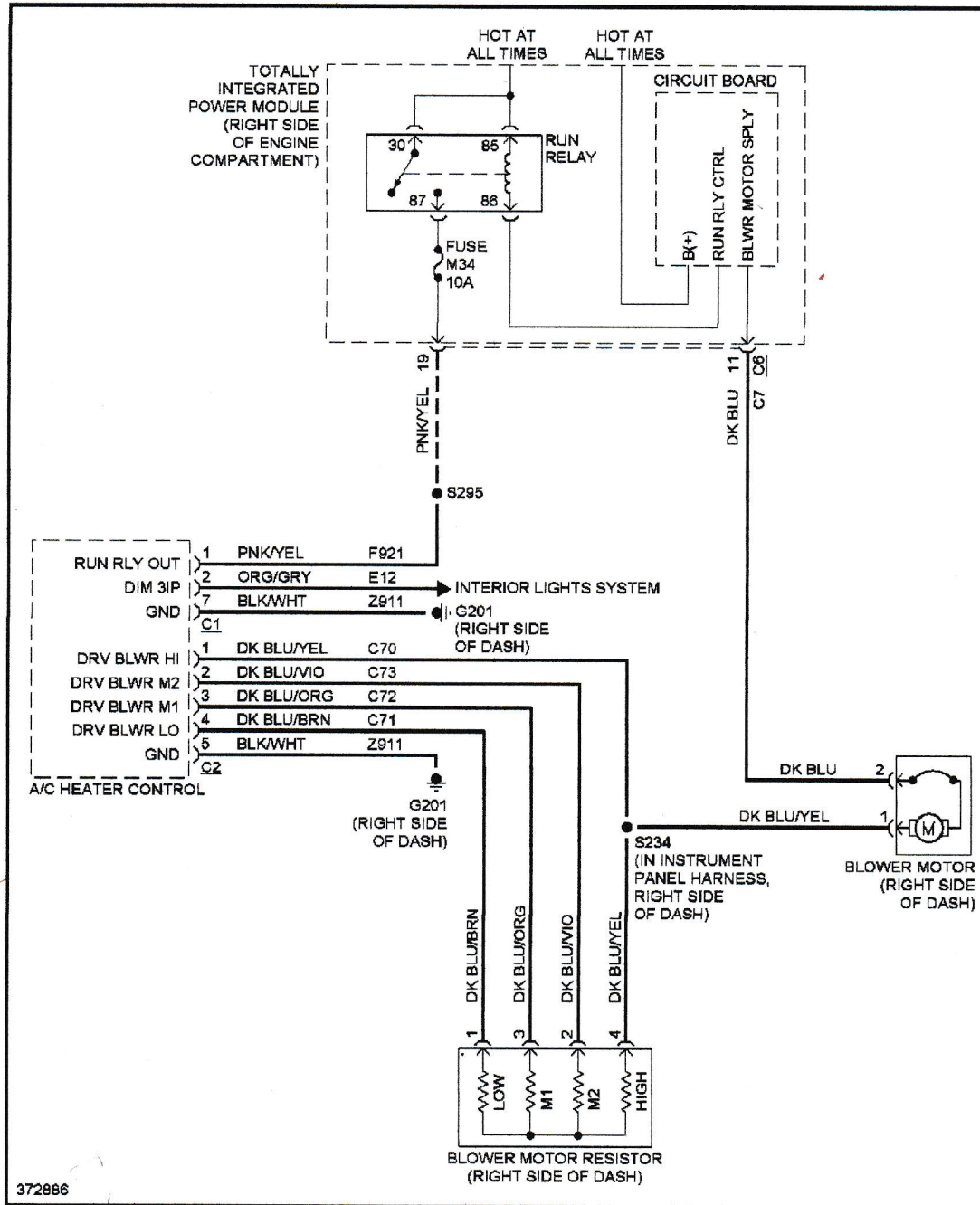


Fig. 1: Heater Circuit